

TR82

MEDIUM POWER RELAY

MAIN FEATURES

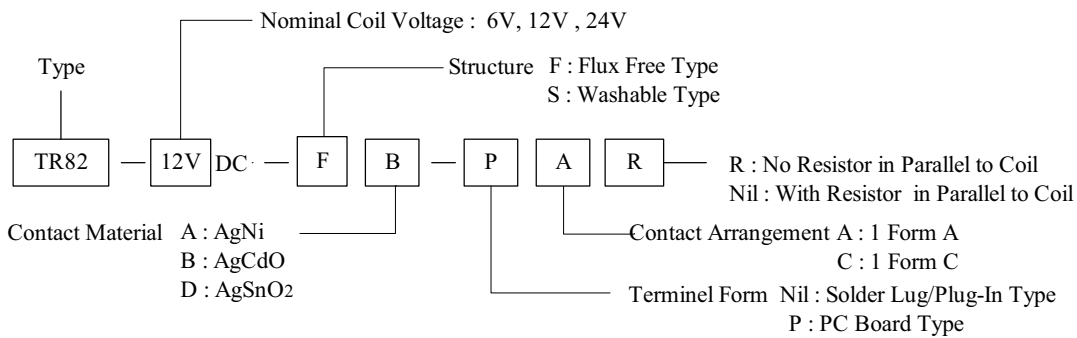
- High Performance.
- 4.8mm and 6.3mm flat terminals.
- 1 form A type (1 form C under introduction).
- Medium duty.
- Small size.



APPLICATIONS

- Used on air conditioner, electrical heater Remote-controlled TV, automatic control and household electric device.

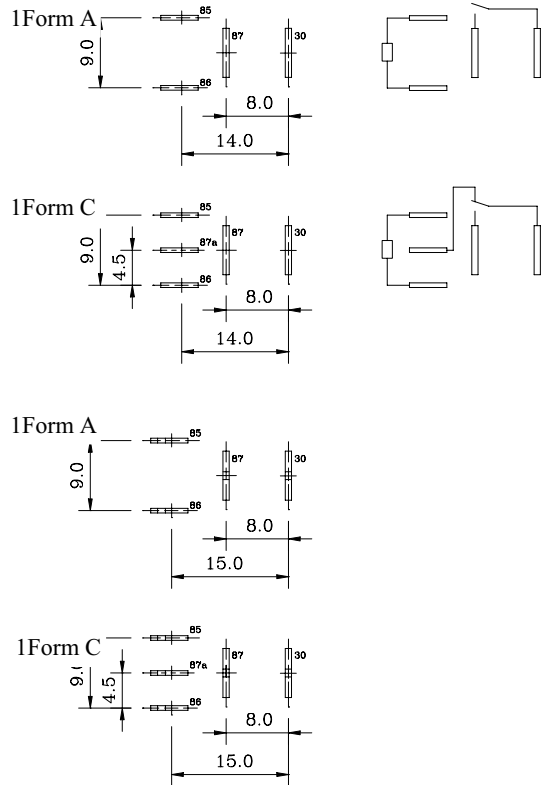
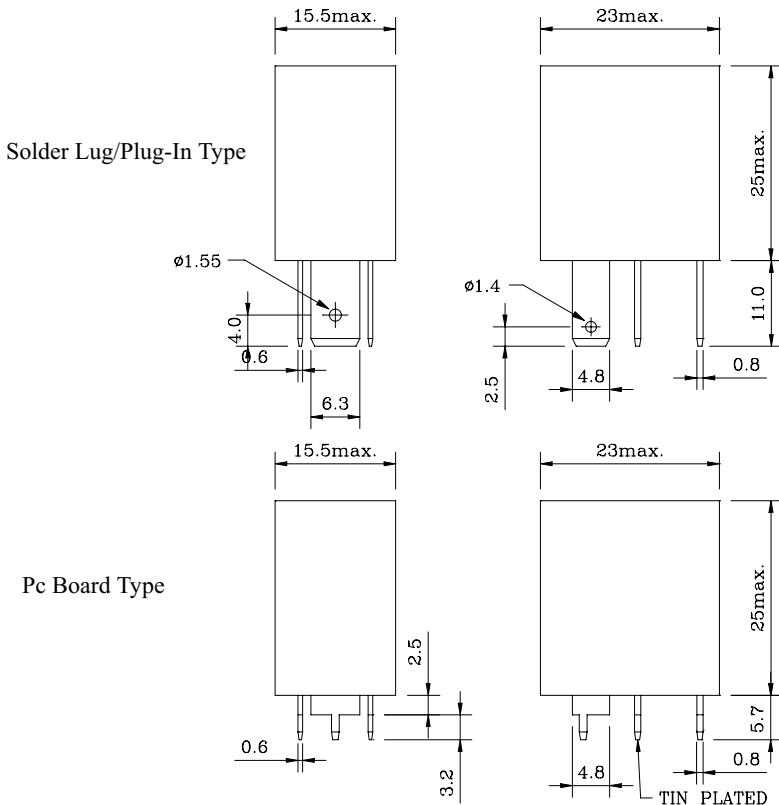
ORDERING INFORMATION



DIMENSION (unit:mm)

DRILLING (unit:mm)

WIRING DIAGRAM



大豪电子
 电话: 0755-83233025
<http://www.szdahao.com>
<http://www.very-tec.com>

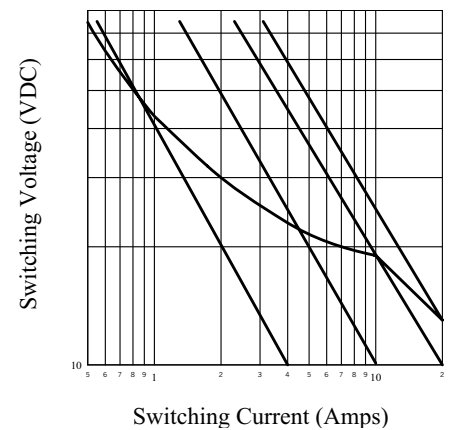
■ COIL DATA CHART (AT20°C)

Contact Arrangement	Coil Voltage Code	Nominal Voltage (VDC)	Nominal Current (mA)	Coil Resistance (Ω) $\pm 10\%$	Power Consumption (W)	Pull-In Voltage (VDC)	Drop-Out Voltage (VDC)	Max-Allowable Voltage (VDC)
TR82	06	6	200	30	abt. 1.2	80% Max.	5% Min.	150%
	12	12	100	120				
	24	24	50	480				
TR82 (Form C)	06	6	250	24	abt. 1.5	80% Max.	5% Min.	130%
	12	12	125	96				
	24	24	62.5	384				

■ CONTACT RATING

Item	Type	TR82	
		1 Form A	1 Form C
Contact Rating at 25°C		25A 14VDC	20A 14VDC
Rated Carrying Current		25A	20A
Max. Switching Power		350W	
Max. Switching Voltage		75VDC	
Contact Material		Ag Alloy	

■ REFERENCE DATA



■ PERFORMANCE (at initial value)

Item	Type	TR82
	Contact Resistance	
Operation Time		10msec Max.
Release Time		7msec Max.
Dielectric Strength		
Between coil & contact		1000VAC 50/60HZ (1 minute)
Between contacts		500VAC 50/60HZ (1 minute)
Surge Resistiveness		1500V
Insulation Resistance		100 M Ω Min. (500VDC)
Operating Ambient Temperature		-40°C to +85°C (No water condensation and no water drop)
Operating Humidity		45 to 85% RH
Coil Temperature Rise		40 deg. Max. (at rated coil voltage)
Vibration		
Endurance		10 to 40Hz Double Amplitude 1.27mm
Error Operation		10 to 40Hz Double Amplitude 1.27mm
Shock		
Endurance		100G Min.
Error Operation		10G Min.
Life Expectancy		
Mechanically		1×10^7 operations. Min. (no load)
Electrically		1×10^5 operations. Min.
Weight		abt. 18.5grs.

