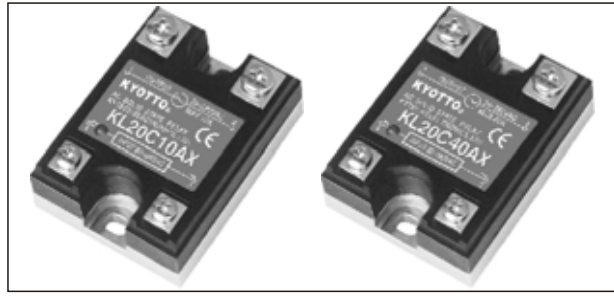


AC SOLID STATE RELAY

KL20C10AX
 KL20C15AX
 KL20C25AX
 KL20C40AX
 KL20C50AX
 KL20C75AX
 KL20C90AX
 KL20C100AX
 KL20C125AX

KL SERIES

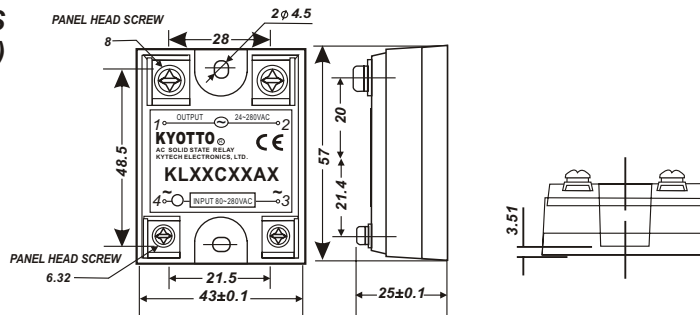


SPECIFICATIONS

MODEL NO.	CONTROL VOLTAGE RANGE	MUST TURN OFF VOLTAGE	INPUT IMPEDANCE	MAX LOAD CURRENT	LOAD VOLTAGE RANGE	MIN BLOCKING VOLTAGE	MAX OFF-STATE LEAKAGE	FREQUENCY RANGE	MAX 1-CYCLE PEAK SURGE
KL20C10AX	80 TO 280 VAC	MAX10 VAC	1.5 Kohm	10A	24-280VAC	600VAC	LESS 5 mA	47-70HZ	100A
KL20C15AX	80 TO 280 VAC	MAX10 VAC	1.5 Kohm	15A	24-280VAC	600VAC	LESS 5 mA	47-70HZ	150A
KL20C25AX	80 TO 280 VAC	MAX10 VAC	1.5 Kohm	25A	24-280VAC	600VAC	LESS 5 mA	47-70HZ	250A
KL20C40AX	80 TO 280 VAC	MAX10 VAC	1.5 Kohm	40A	24-280VAC	600VAC	LESS 5 mA	47-70HZ	400A
KL20C50AX	80 TO 280 VAC	MAX10 VAC	1.5 Kohm	50A	24-280VAC	600VAC	LESS 5 mA	47-70HZ	500A
KL20C75AX	80 TO 280 VAC	MAX10 VAC	1.5 Kohm	75A	24-280VAC	600VAC	LESS 5 mA	47-70HZ	750A
KL20C90AX	80 TO 280 VAC	MAX10 VAC	1.5 Kohm	90A	24-280VAC	600VAC	LESS 5 mA	47-70HZ	900A
KL20C100AX	80 TO 280 VAC	MAX10 VAC	1.5 Kohm	100A	24-280VAC	600VAC	LESS 5 mA	47-70HZ	1000A
KL20C125AX	80 TO 280 VAC	MAX10 VAC	1.5 Kohm	125A	24-280VAC	600VAC	LESS 5 mA	47-70HZ	1250A

MODEL NO.	MAX OFF STATE dv/dt	MAX ON-STATE VOLTAGE DROP	ISOLATE IMPEDENCE	DIELECTRIC STRENGTH INPUT-OUTPUT	DIELECTRIC STRENGTH INPUT-OUTPUT-CASE	TURN ON TIME	TURN OFF TIME	CAPACITANCE IN-OUT	WEIGHT (g)
KL20C10AX	200 V/ μ SEC	2.0VACrms	10 ⁹ ohm	4000 VACrms	2500 VACrms	LESS 2 mSec	LESS 1/2 AC CYCLE	LESS 15 PF	95 g
KL20C15AX	200 V/ μ SEC	2.0VACrms	10 ⁹ ohm	4000 VACrms	2500 VACrms	LESS 2 mSec	LESS 1/2 AC CYCLE	LESS 15 PF	95 g
KL20C25AX	200 V/ μ SEC	2.0VACrms	10 ⁹ ohm	4000 VACrms	2500 VACrms	LESS 2 mSec	LESS 1/2 AC CYCLE	LESS 15 PF	100 g
KL20C40AX	200 V/ μ SEC	2.0VACrms	10 ⁹ ohm	4000 VACrms	2500 VACrms	LESS 2 mSec	LESS 1/2 AC CYCLE	LESS 15 PF	100 g
KL20C50AX	200 V/ μ SEC	2.0VACrms	10 ⁹ ohm	4000 VACrms	2500 VACrms	LESS 2 mSec	LESS 1/2 AC CYCLE	LESS 15 PF	100 g
KL20C75AX	200 V/ μ SEC	2.0VACrms	10 ⁹ ohm	4000 VACrms	2500 VACrms	LESS 2 mSec	LESS 1/2 AC CYCLE	LESS 15 PF	100 g
KL20C90AX	200 V/ μ SEC	2.0VACrms	10 ⁹ ohm	4000 VACrms	2500 VACrms	LESS 2 mSec	LESS 1/2 AC CYCLE	LESS 15 PF	100 g
KL20C100AX	200 V/ μ SEC	2.0VACrms	10 ⁹ ohm	4000 VACrms	2500 VACrms	LESS 2 mSec	LESS 1/2 AC CYCLE	LESS 15 PF	100 g
KL20C125AX	200 V/ μ SEC	2.0VACrms	10 ⁹ ohm	4000 VACrms	2500 VACrms	LESS 2 mSec	LESS 1/2 AC CYCLE	LESS 15 PF	100 g

OUTLINE DIMENSIONS (unit:mm)



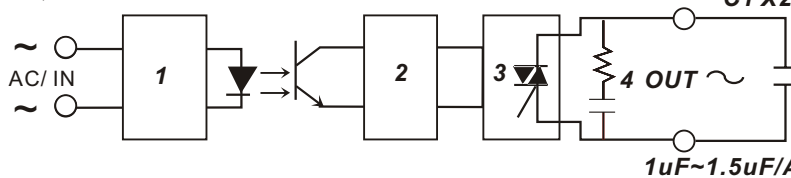
大豪电子

电话: 0755-83233025

http://www.szdahao.com

http://www.very-tec.com

EQUIVALENT CIRCUIT



- 1.INPUT CIRCUIT
- 2.PHOTO DETECTOR
- 3.ZERO-CROSS CIRCUIT
- 4.OUTPUT CIRCUIT
- 5.PROTECTED CIRCUIT

CHARACTERISTIC CURVES

