



DB SERIES

GENERAL PURPOSE FILTERS



INTRODUCTIONS

1. Designed as a general purpose filter providing effective EMI suppression.
2. All part numbers are UL recognized, CSA certified and VDE approved.

COMPONENTS

PART NO.	Cx (uF)	L (mH)	Cy (pF)	R (Ω)
02DBAG5	0.1	1.1	3300	-
02DBAW5				
03DBAG5				
03DBAW5				
05DBAG5	0.22	2.1	-	-
05DBAW5				
• 05DBDG3	0.47	3.7	-	330K
• 05DBDW3				
06DBDW3S	0.1	1.5	3300	-
10DBAG5				
10DBAW5				
10DBAS5				
10DBDW3S	0.47	1.45	-	330K
10DBG3S				
* 16DBG3	1.0	3.6	10000	200K
* 16BCG5	2.2			
20DBAG5	0.33	0.7	3300	-
20DBAS5				
12DBBG5B	0.1	0.7	4700	1.0M
12DBBW5B				
16DBC5B		0.65		
16BCW5B				
20DBC5B		0.60		
20BCS5B				
30BCS5B	0.47	0.67	10000	

- UL & CSA approved only.
- * No safety approval yet

MINIMUM INSERTION LOSS IN dB

COMMON MODE (L-G) IN 50 OHM SYSTEM						
CURRENT RATING	FREQUENCY-MHz					
	.15	.50	1.0	5.0	10	30
2,3,5A	15	30	38	45	45	40
6A	20	25	35	40	45	35
10A	20	30	35	50	50	45
* 10A	15	22	30	40	40	45
16A(DG3)	20	30	35	45	50	35
* 16A(CG5)	20	30	35	50	50	40
20A	13	20	25	40	45	45
12A (BG5B) (BW5B)	10	20	22	35	40	40
16A (CG5B) (CW5B)	10	18	20	35	50	30
20A (CG5B) (CS5B)	10	20	22	30	35	35
30A (CS5B)	10	28	30	45	50	35
DIFFERENTIAL MODE (L-L) IN 50 OHM SYSTEM						
2,3,5A	6	15	20	40	45	45
6A	10	18	20	30	35	40
10A	6	15	20	44	45	45
* 10A	12	18	20	35	35	40
16A (DG3)	10	30	50	50	50	50
* 16A (CG5)	20	30	40	45	40	30
20A	15	24	28	45	45	45
12A (BG5B) (BW5B)	5	12	15	35	45	35
16A (CG5B) (CW5B)	5	10	15	45	45	40
20A (CG5B) (CS5B)	4	10	15	45	45	40
30A (CS5B)	12	20	25	45	50	45

* 10DBG3S, DW3S

SPECIFICATIONS

1. Maximum leakage current each
line-to-ground @ 115VAC 60Hz: 0.25mA
1.0mA (10000pF)
@ 250VAC 50Hz: 0.45mA
2.0mA (10000pF)
2. Hipot rating (one minute)
line-to-ground: 2250VDC
line-to-line: 1450VDC
3. Operating frequency: 50/60Hz
4. Rated voltage: 115/250VAC

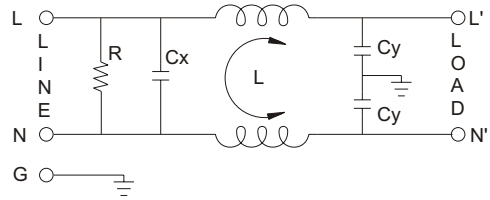
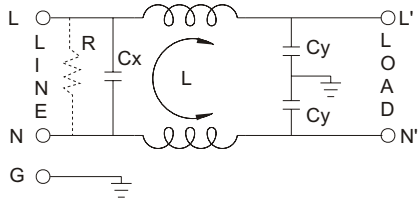
SERIES DIMENSIONS

CURRENT RATING	STYLE	DIMENSIONS IN INCHES/mm						
		A	B	C	D	E		
2A	AG5	2.15	45.0	0.65	54.1	2.54		
		54.6					16.5	64.5
	AW5	0.96		1.77		0.77	2.13	2.50
		24.4						
3A	AG5	2.54	45.0	1.18	54.1	2.50		
	64.5	1.33					30.0	64.8
5A	AW5	1.33	45.0	1.18	54.1	2.77		
	33.8	78.7					51.3	60.5
6A	DW3S	2.55	2.08	1.29	1.575	0.61		
		64.77	52.83	32.77	40.01	15.49		
10A	AG5	2.54	45.0	1.18	54.1	2.50		
		64.5					1.33	30.0
	AW5	1.33	45.0	1.18	54.1	2.77		
		33.8					78.7	51.3
	AS5	3.10	2.02	1.18	2.38	2.77		
		78.7	51.3	30.0	60.5	70.3		
16A	DW3S	2.55	2.08	1.29	1.575	0.61		
		64.80	52.80	32.80	40.00	15.50		
	DG3S	3.14	2.10	1.28	1.575	0.61		
		79.80	53.30	32.50	40.00	15.50		
20A	CG5	4.35	1.34	1.65	2.24	0.63		
		110.50	34.0	42.0	57.0	16.0		
	AS5	3.75	2.06	1.54	2.94	3.34		
		95.25	52.30	39.10	74.70	84.80		
AG5	3.25	2.02	1.16	2.38	2.75			
	82.5	51.3	29.5	60.5	69.9			
AS5	3.37	2.02	1.15	2.38	2.77			

CURRENT RATING	STYLE	DIMENSIONS IN INCHES/mm					
		A	B	C	D	E	F
12A	BG5B	2.13	2.54	1.34	1.77	45.0	-
	BW5B	54.00	64.5	34.0	45.0		3.94
16A	CG5B	2.40	2.81	1.79	2.02	30.0	-
	CW5B	61.00	71.5	45.5	51.3		3.94
20A	CG5B	2.95	3.34	2.04	2.52	64.0	-
	CS5B	75.00	84.8	51.8	64.0		-
30A	CS5B	4.06	4.49	2.22	3.74	1.83	-
		103.0	114.0	56.5	95.0	46.4	-

GENERAL PURPOSE ONE-STAGE FILTERS

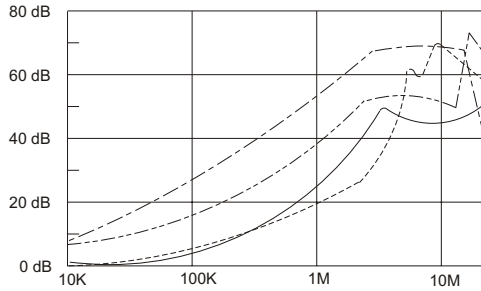
ELECTRICAL SCHEMATIC



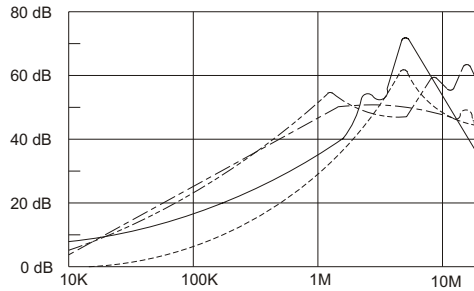
XXDBXX5B

INSERTION LOSS (TYPICAL)

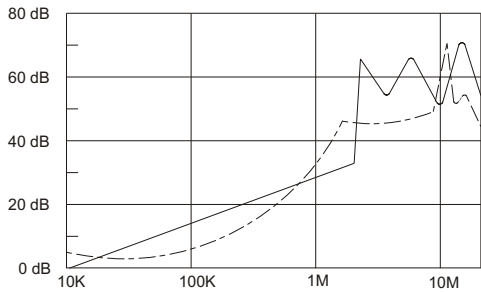
02DBAG5-----COMMON MODE -----DIFF. MODE
 03DBAG5-----COMMON MODE -----DIFF. MODE



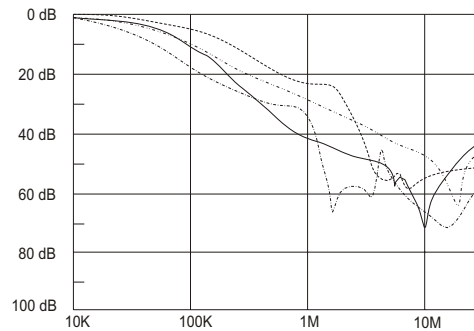
05DBAG5-----COMMON MODE -----DIFF. MODE
 10DBAG5-----COMMON MODE -----DIFF. MODE



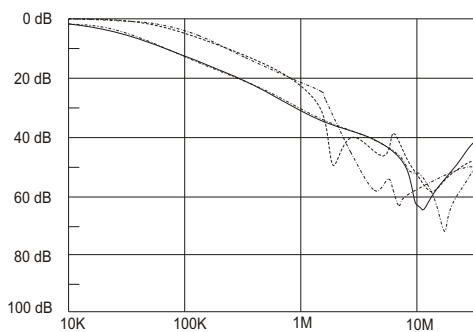
20DBAG5-----COMMON MODE -----DIFF. MODE



20DBC5B -----COMMON MODE -----DIFF. MODE
 20BCS5B -----COMMON MODE -----DIFF. MODE
 30DBC5B -----COMMON MODE -----DIFF. MODE



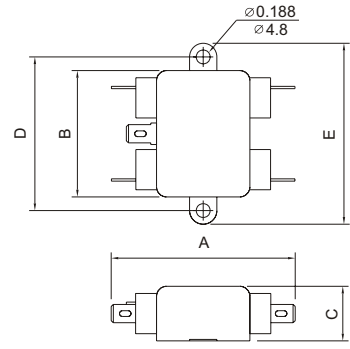
12DBBG5B -----COMMON MODE -----DIFF. MODE
 12DBBW5B -----COMMON MODE -----DIFF. MODE
 16DBC5B -----COMMON MODE -----DIFF. MODE
 16BCW5B -----COMMON MODE -----DIFF. MODE



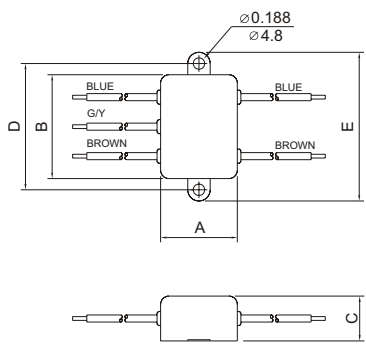
MECHANICAL CONSTRUCTION



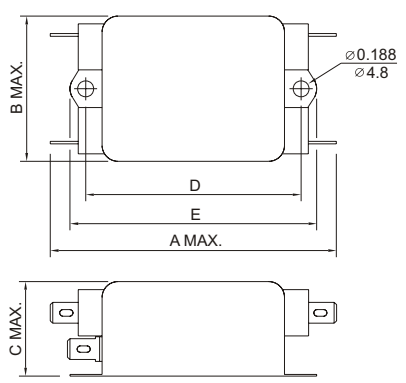
AG5



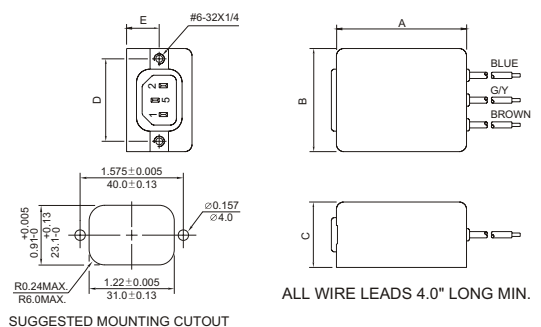
AW5



CG5



DW3S



ALL WIRE LEADS 4.0" LONG MIN.

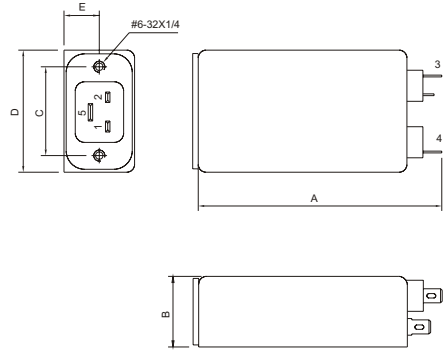
SUGGESTED MOUNTING CUTOUT

UNIT: $\frac{\text{INCH}}{\text{mm}}$

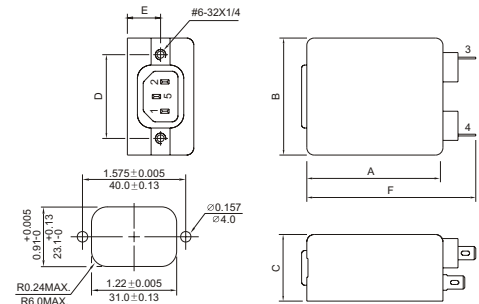
MECHANICAL CONSTRUCTION



DG3



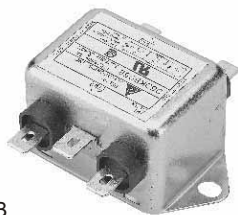
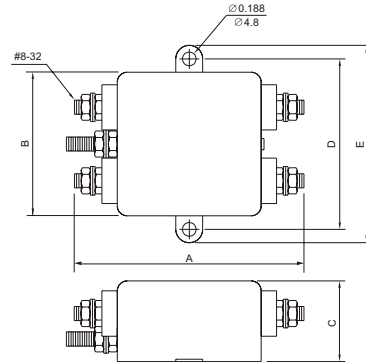
DG3S



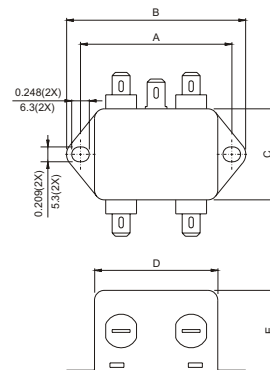
SUGGESTED MOUNTING CUTOUT



AS5



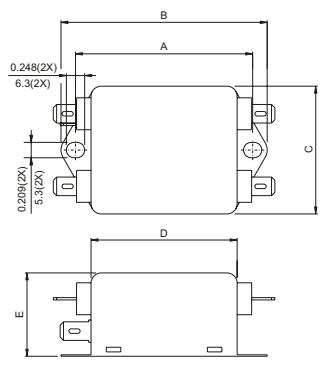
BG5B, BW5B
(option wire style)



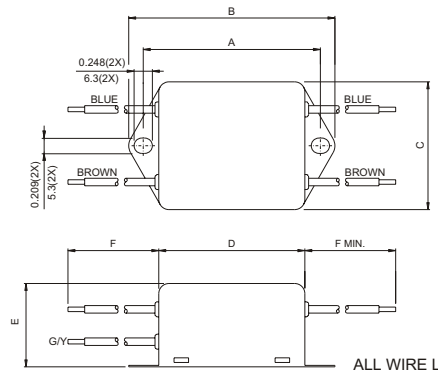
MECHANICAL CONSTRUCTION



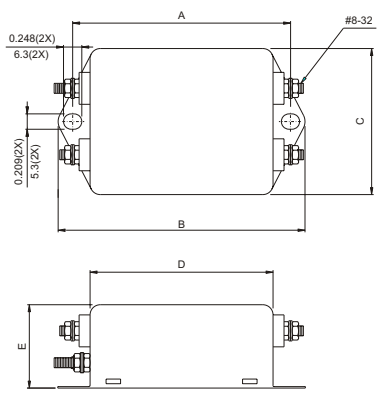
CG5B



CW5B



CS5B



UNIT: $\frac{\text{INCH}}{\text{mm}}$