

MODEL TL-4935

International size reference: 1/6D, ER32L100

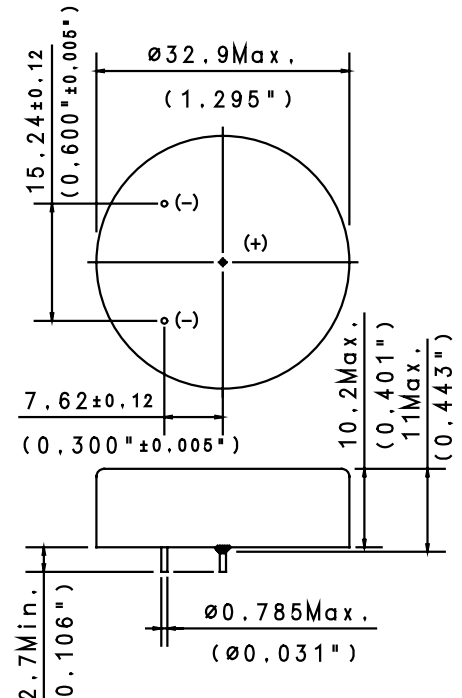
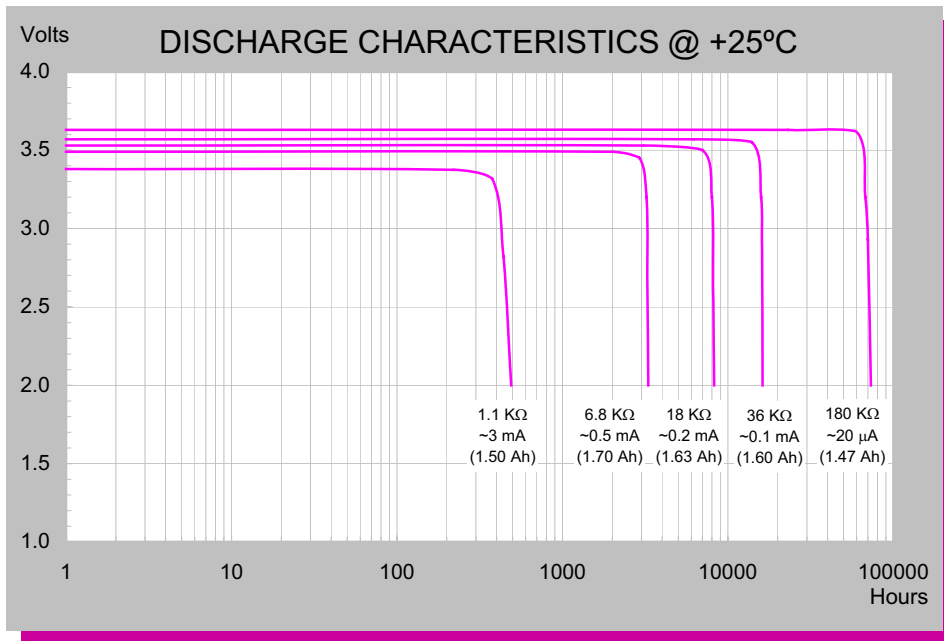
大豪电子
 电话: 0755-83233025
<http://www.szdahao.com>
<http://www.very-tec.com>

TADIRAN LITHIUM BATTERIES

TECHNICAL DATA

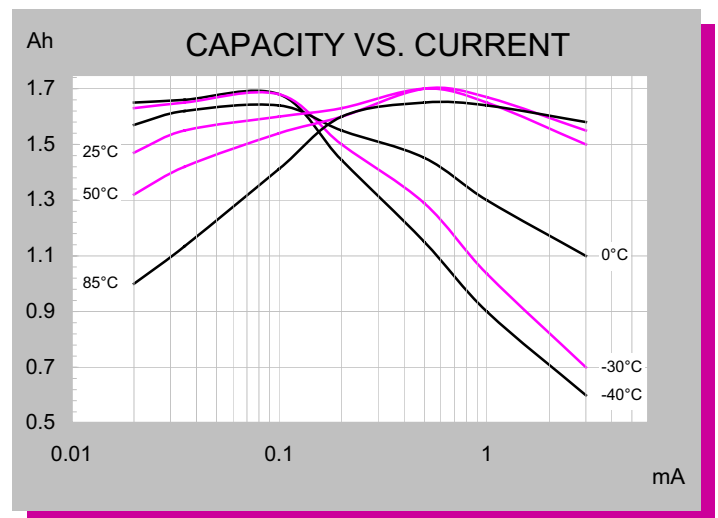
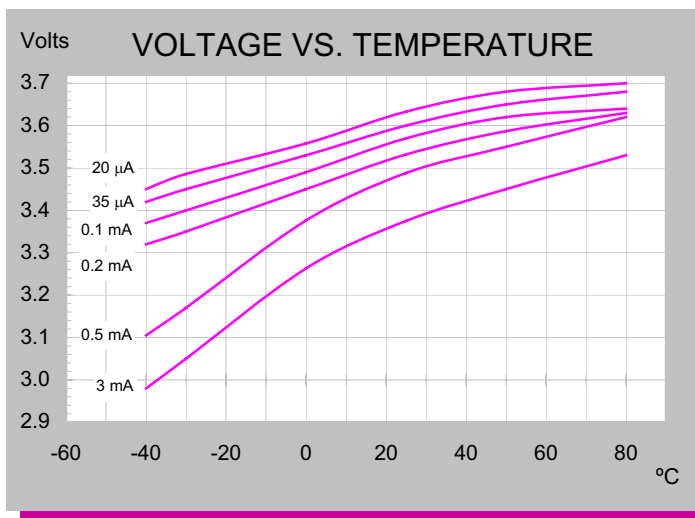
(Typical values @+25°C for batteries stored for one year or less)

- Nominal capacity @ 0.5 mA, to 2V 1.7 Ah
- Rated voltage 3.6 V
- Maximum recommended continuous current 10 mA
- Maximum 1 sec. pulse capability 20 mA
- Weight 21 g (0.74 oz)
- Volume 8.2 cc
- Operating temperature range -55 °C to +85 °C
- U.L. Component Recognition, MH 12193



ADDITIONAL INFORMATION

TERMINAL MATERIAL : TIN PLATED NICKEL
 CATALOGUE NO. : 15-4935-41000



XOL - Extended Operating Life

Note: Any presentations in this data sheet concerning performance are for information purpose only and are not construed as warranties either expressed or implied, of future performance.