

MODEL TL-4934

International size reference: 1/10D, ER32L

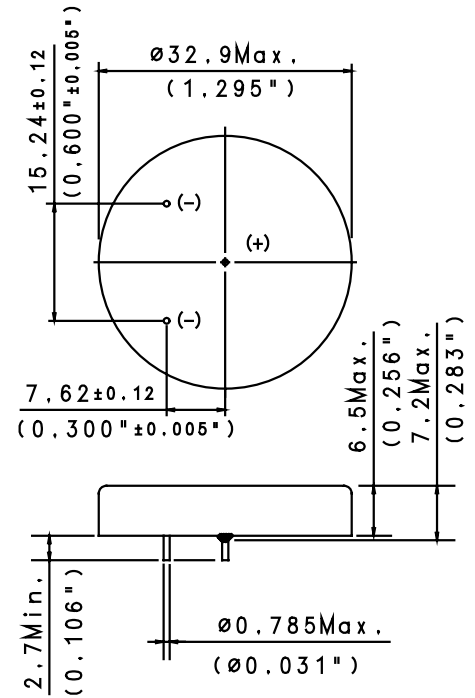
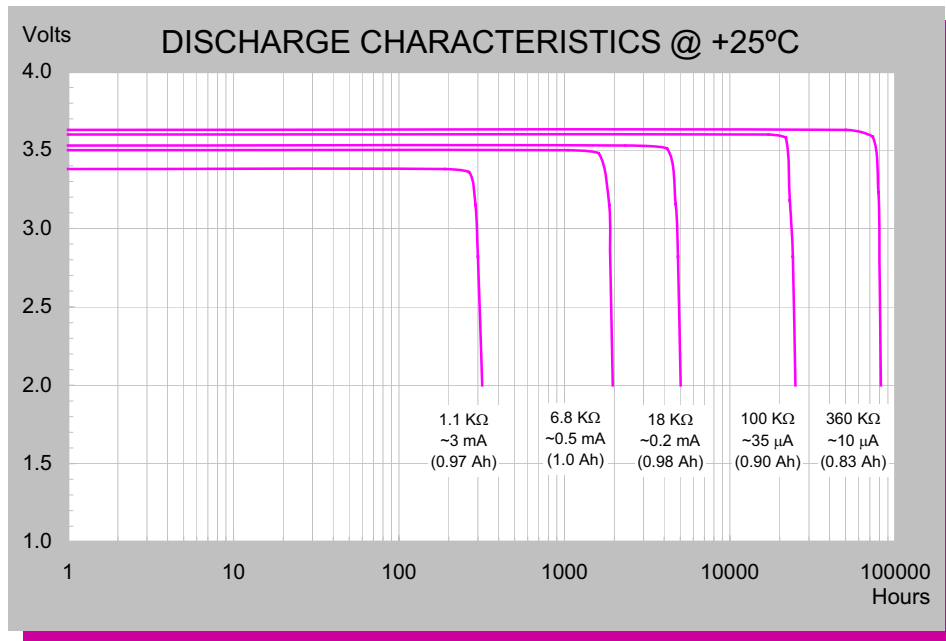
大豪电子
 电话: 0755-83233025
<http://www.szdahao.com>
<http://www.very-tec.com>

TADIRAN LITHIUM BATTERIES

TECHNICAL DATA

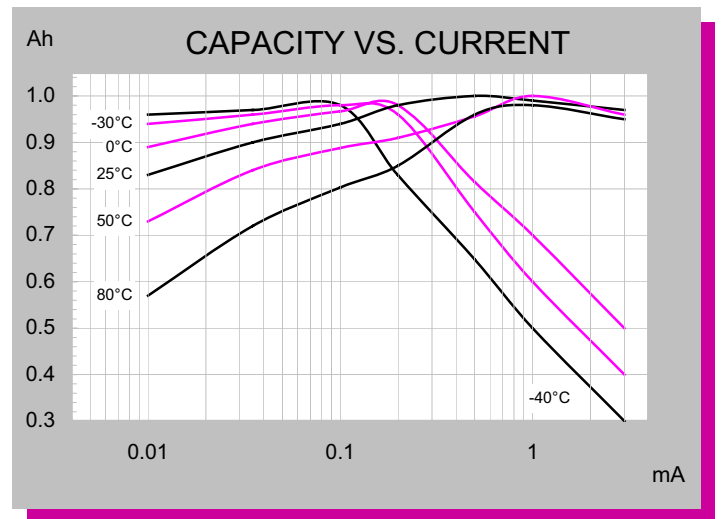
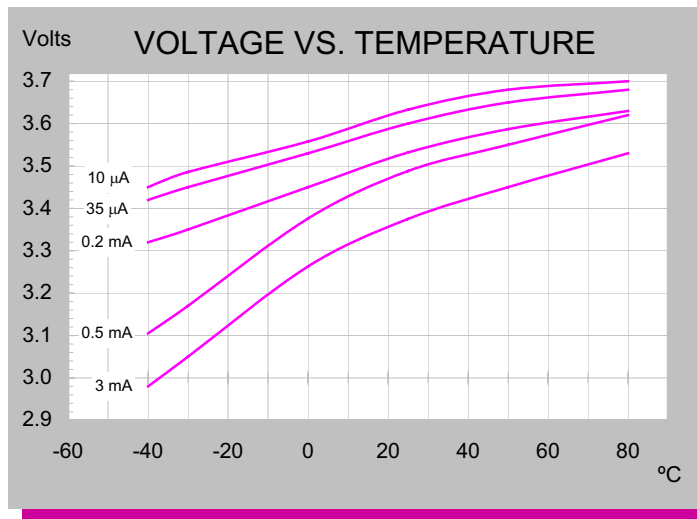
(Typical values @+25°C for batteries stored for one year or less)

■ Nominal capacity @ 0.5 mA, to 2 V	1 Ah
■ Rated voltage	3.6 V
■ Maximum recommended continuous current	10 mA
■ Maximum 1 sec. pulse capability	20 mA
■ Weight	16.2 g (0.57 oz)
■ Volume	5.2 cc
■ Operating temperature range	-55 °C to +85 °C
■ U.L. Component Recognition, MH 12193	



ADDITIONAL INFORMATION

TERMINAL MATERIAL : TIN PLATED NICKEL
 CATALOGUE NO. : 15-4934-41000



XOL - Extended Operating Life

Note: Any presentations in this data sheet concerning performance are for information purpose only and are not construed as warranties either expressed or implied, of future performance.

ECN 1501186 Rev. E 01/06