

# ZA675 maratone+

PR44  
Hearing Aid Battery

## Technical Data Sheet



### Specifications

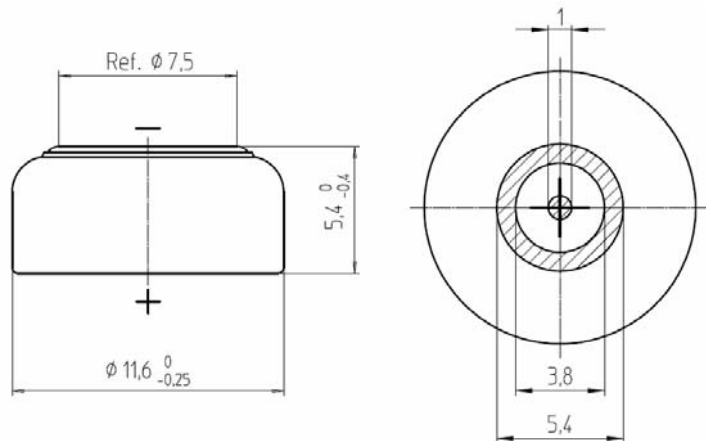
Chemical system	Zinc / Air
Nominal Voltage	1,4 V
Typical Capacity	<b>650 mAh</b>
Self Discharge	Less than 5% per year at 20 °C with label applied
Weight	~1,8g

**These batteries need air when they are used. Battery compartment must allow free access of air**  
A period of at least 10 min shall elapse between activation and commencement of electrical measurement

### Dimensions

(according IEC 60086-2)

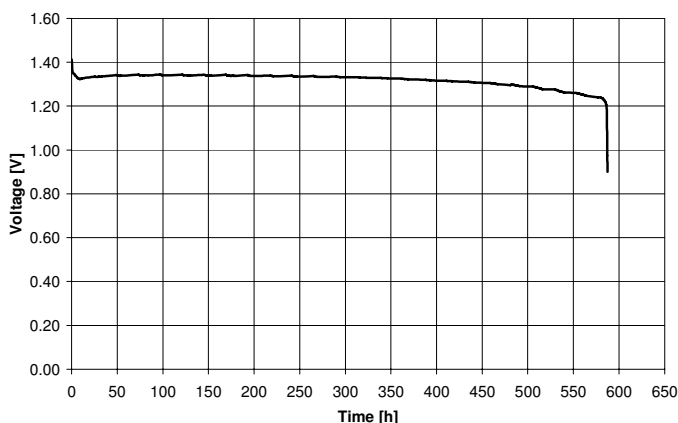
Diameter	11,6 mm (0,457")
Height	5,4 mm (0,213")



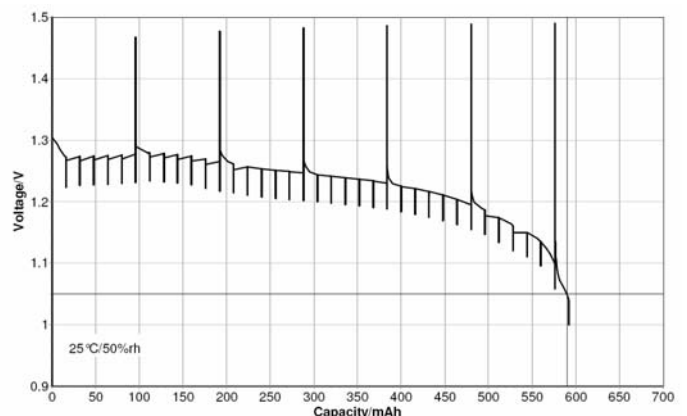
Air-intake holes placement

### Discharge Curve

Standard discharge Load 619 ohm 12 hours per day at 20 °C, 50%rh according IEC60086-2



High Power Load  
8 mA current, 24 mA pulsed for 100 ms every 2 hours



Information and contents in this data sheet are for reference purpose only. They do not constitute any warranty or representation and are subject to change without notice. For most current information and further details, please contact your Renata representative.

Rev. ZA675 Maratone+ / Rev. 3 / January 2009

A COMPANY OF THE **SWATCH GROUP**