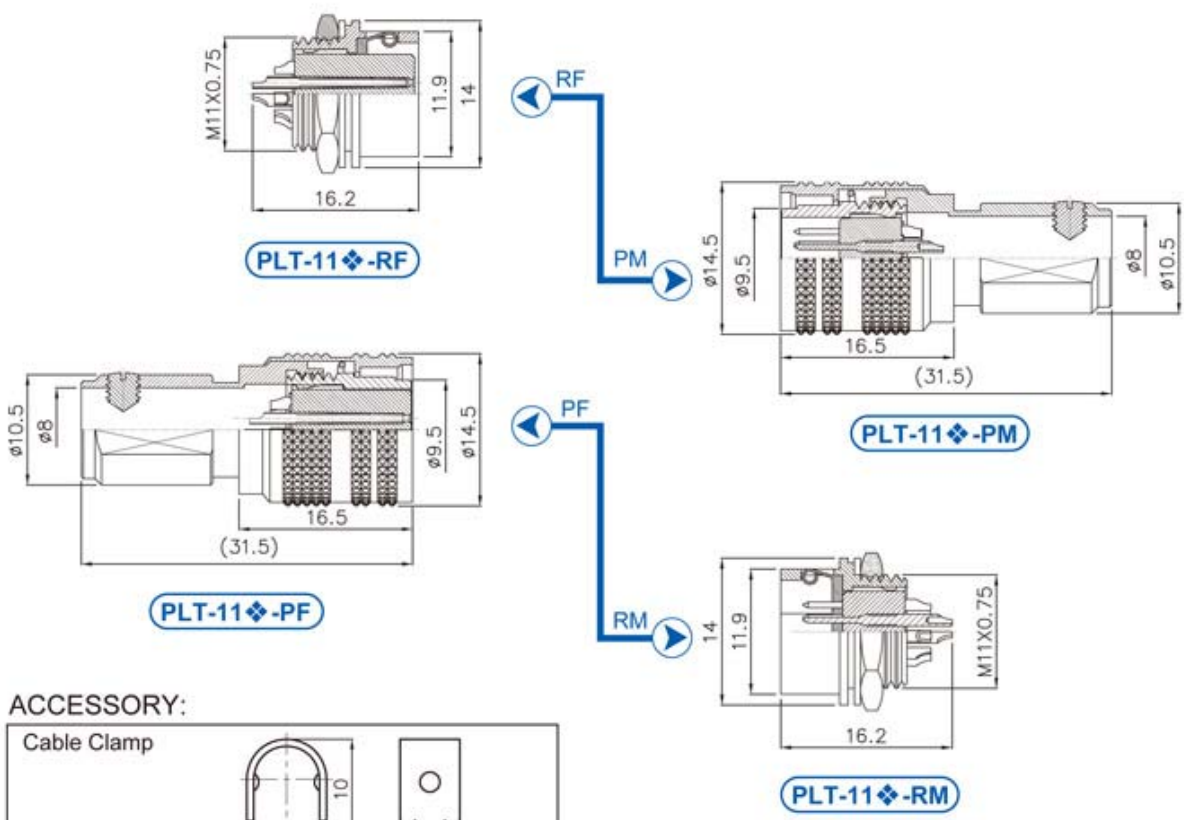


INPUT TYPE
OUTPUT TYPE

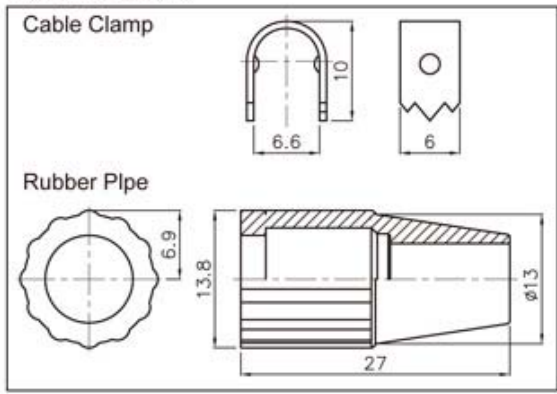
大豪电子
电话: 0775-83233025
<http://www.szdahao.com>
<http://www.very-tec.com>



PLT-11 Series
(INPUT TYPE)
(OUTPUT TYPE)



ACCESSORY:



◆ No. of contacts	10	12					
Contacts Configuration							
Rated current / voltage	2A DC250V	2A DC250V					
Operation limit voltage (AC.V.rms)	125	125					
Withstanding voltage (AC.V.rms) 1 minute	125	125					
Insulation resistance (MΩ MIN.) at DC 500V	200	200					
Contact resistance (MΩ MAX.) at DC 1A	30	30					