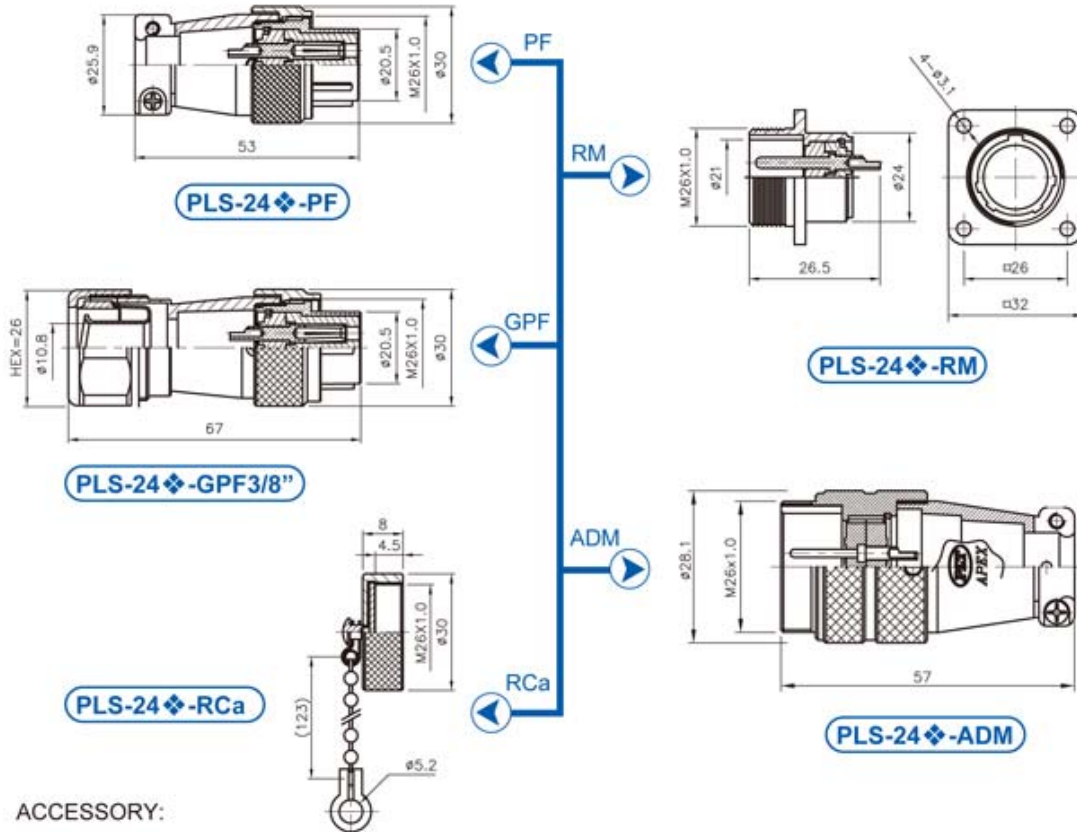


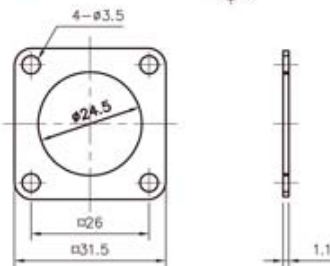
大豪电子
电话: 0775-83233025
http://www.szdahao.com
http://www.very-tec.com



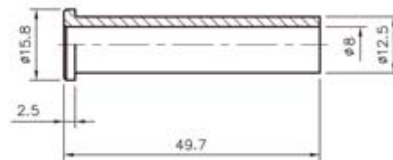
PLS-24 Series
(INPUT TYPE)



ACCESSORY:



RUBBER PLATE FOR PLS-24-RM



RUBBER TUBE FOR PLS-24-PF

◆ No. of contacts	10						
Contacts Configuration	 TÜV						
Rated current / voltage	10A 250V						
Operation limit voltage (AC.V.rms)	250						
Withstanding voltage (AC.V.rms) 1 minute	1000						
Insulation resistance (MΩ MIN.) at DC 500V	2000						
Contact resistance (MΩ MAX.) at DC 1A	3						
Solder inter diameter	1.6						