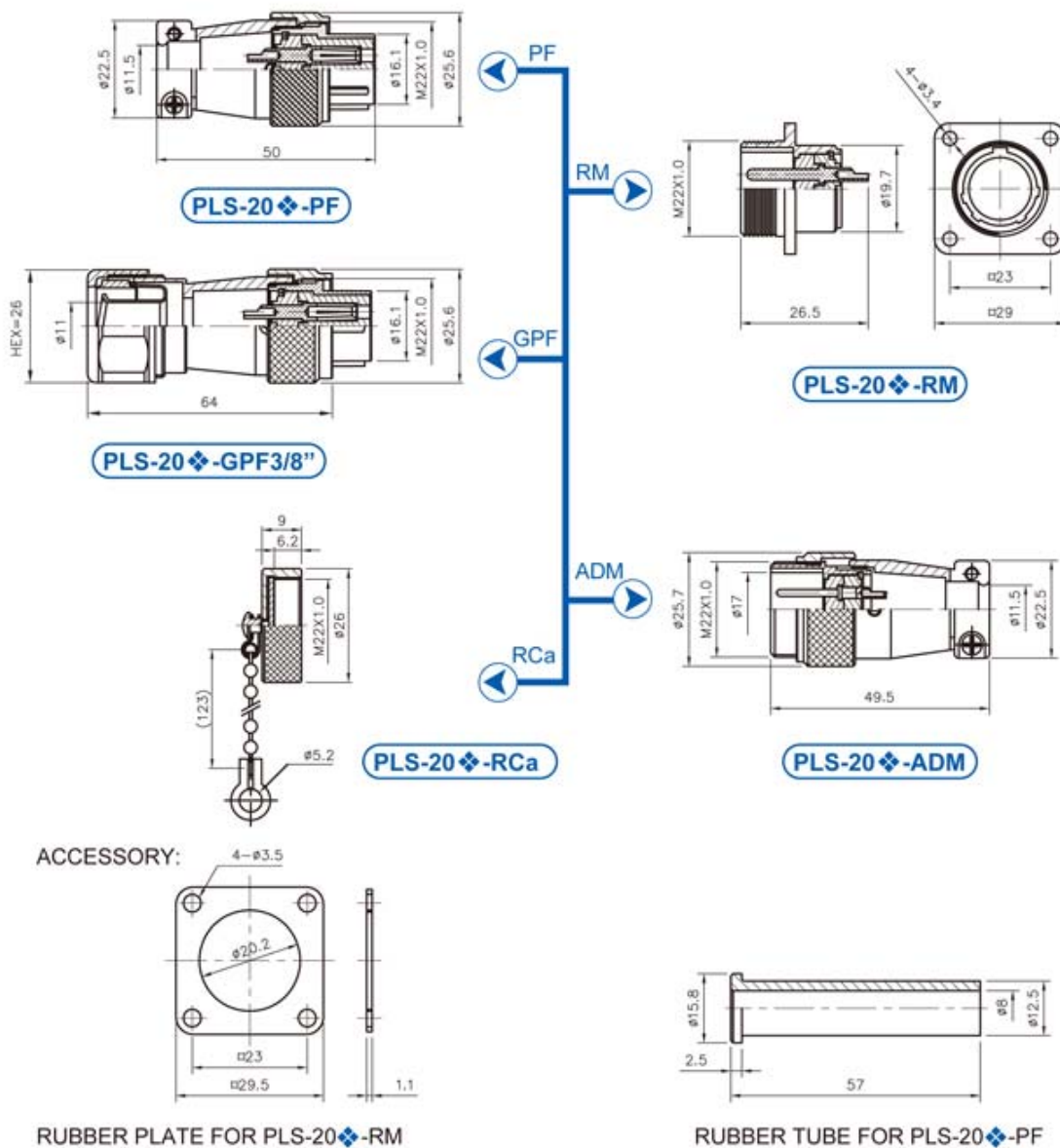


**大豪电子**  
电话: 0775-83233025  
http://www.szdahao.com  
http://www.very-tec.com



PLS-20 Series  
( INPUT TYPE )



◆ No. of contacts	2	3	4	7			
Contacts Configuration							
Rated current / voltage	15A 250V	15A 250V	10A 250V	10A 250V			
Operation limit voltage (AC.V,rms)	250	250	250	250			
Withstanding voltage (AC.V,rms) 1 minute	1500	1500	1000	1000			
Insulation resistance (MΩ MIN.) at DC 500V	2000	2000	2000	2000			
Contact resistance (MΩ MAX.) at DC 1A	3	3	3	3			
Solder inter diameter	1.8	1.8	1.6	1.6			