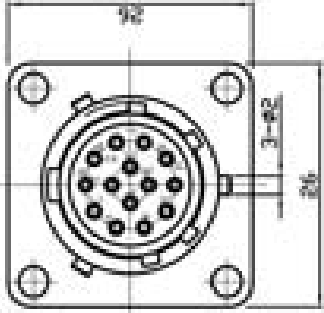
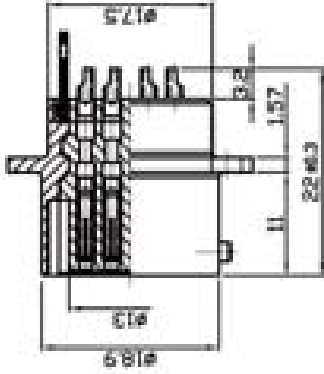
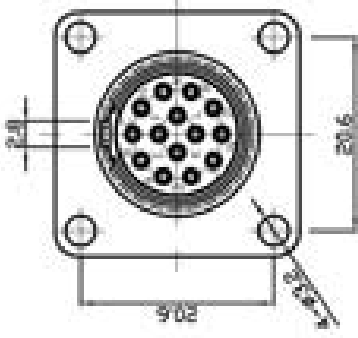
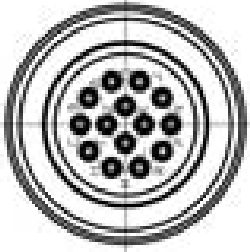
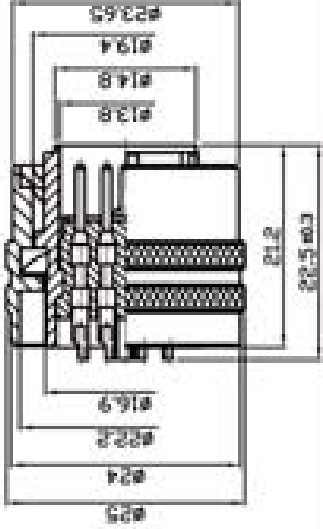
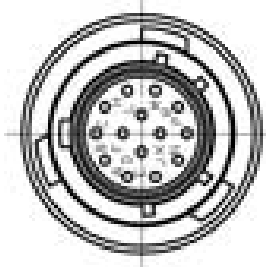


AMS3112E 12-14 SE



AMS3116A 12-14 PA



No. ELECTRICAL CHARACTERISTICS

1	Rate Current / voltage	5A 125V
2	Operation limit voltage (rms)	200V AC
3	Withstanding voltage (rms 1 minute)	1000V AC
4	Insulation resistance (at DC 500V)	1000MΩ MIN.
5	Contact resistance (at DC 1A)	3MΩ MAX.